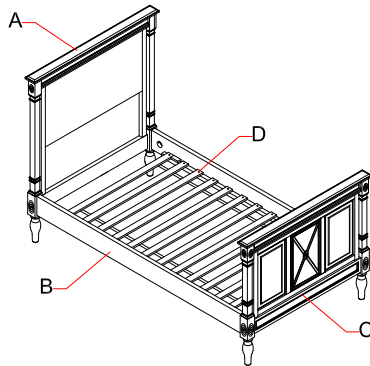





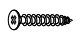
RH BABY & CHILD

JOURDAN TWIN / FULL BED INSTRUCTIONS

PARTS INCLUDED

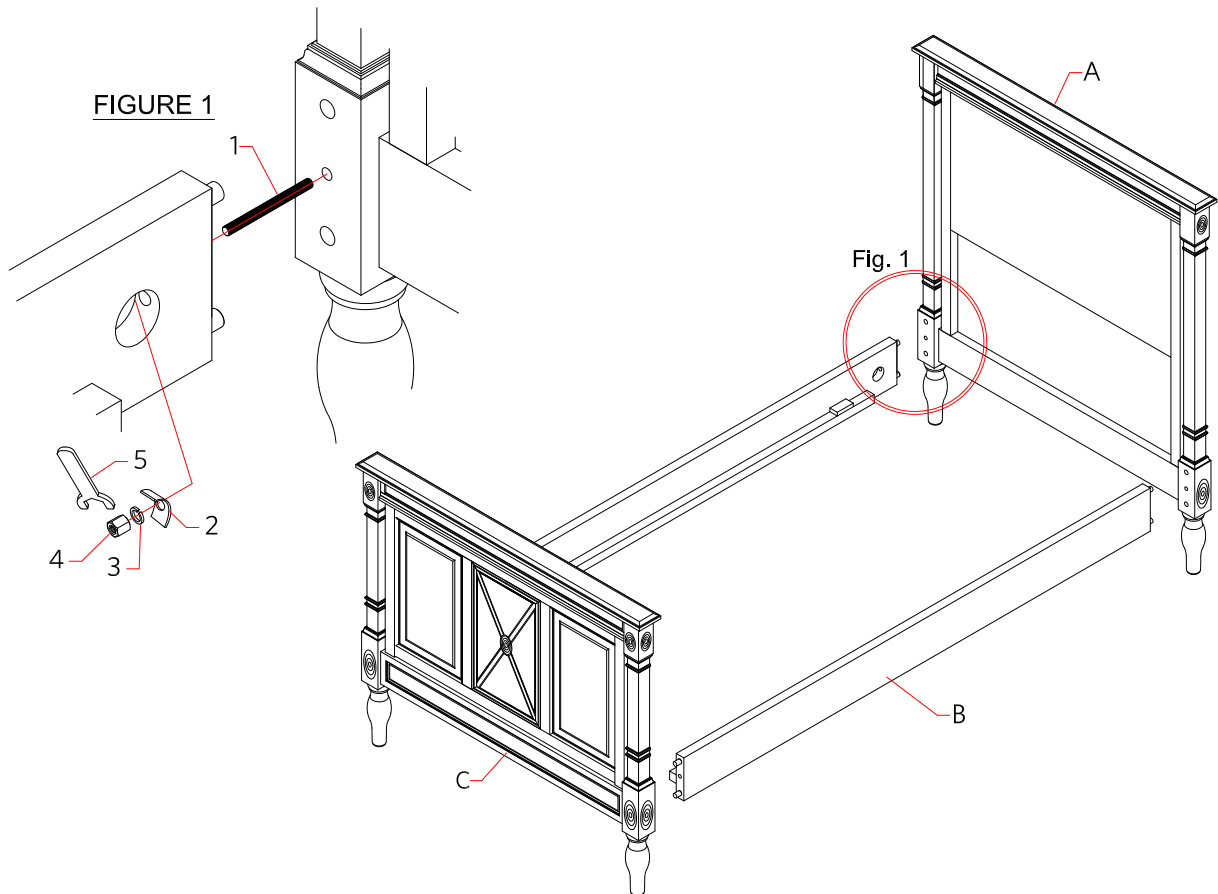
- A [1] HEADBOARD
- B [2] SIDE RAILS
- C [1] FOOTBOARD
- D [1] SET OF BED SLAT



NO.	ITEM	DESCRIPTION	QTY.
1		Threaded Rod	4 pcs.
2		Curved Washer	4 pcs.
3		Lock Washer	4 pcs.
4		Hex Nut	4 pcs.
5		Wrench	1 pc
6		Screw	26 pcs.

ASSEMBLY INSTRUCTIONS

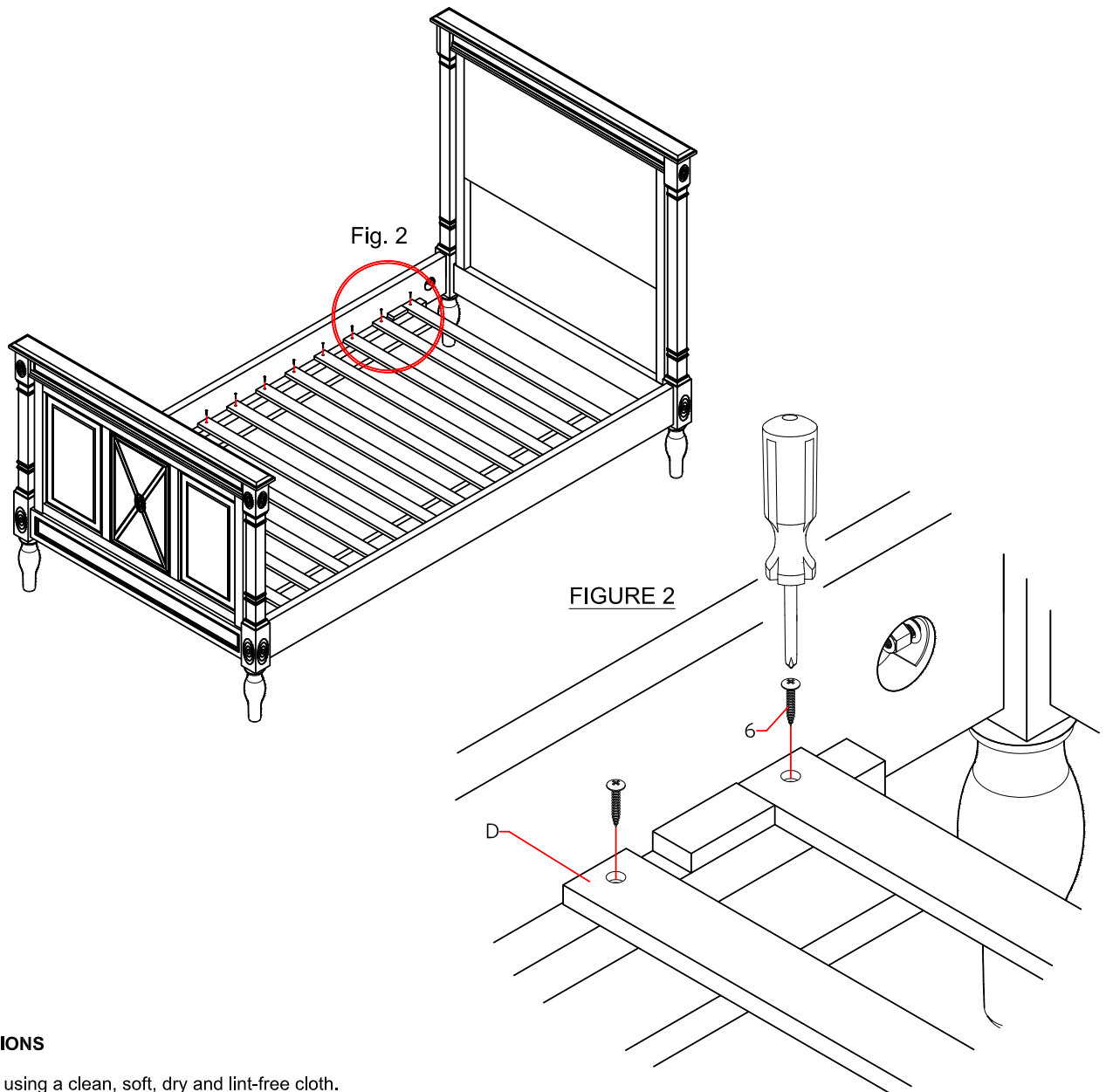
- Place the headboard (A) upright in the position you wish the bed to be in when fully assembled. Secure the threaded rod (1) to the fixed nut in the headboard (A) by simply turning it manually. Raise the side rail (B) up and place the rod (1) to align with the bore holes on the end of the side rails (B). Put the side rails (B) up against the headboard (A) so the threaded rods go through the bore holes. Insert curved washer (2) and lock washer (3), place hex nuts (4) on threaded rod (1) and tighten hex nuts (4) with wrench (5). See FIGURE 1.
- Repeat the above procedure with the other side rail (B) to attach it to the headboard (A), and then repeat to connect side rails (B) to the footboard (C).



RH BABY & CHILD

JOURDAN TWIN / FULL BED INSTRUCTIONS

3. There are pre-installed wooden stopper cleats on the inside of both side rails designed to hold the set of bed slats (D). Place bed slats (D) on both sides of the side rails (B), with the second to the last slat on either side of the stopper cleat, to hold the slats in place. Once the slats (D) are set, secure this with screws (6) provided, as in FIGURE 2.



CARE INSTRUCTIONS

1. Dust often using a clean, soft, dry and lint-free cloth.
2. Blot spills immediately and wipe with a clean, damp, cloth.
3. We do not recommend the use of chemical cleansers, abrasives or furniture polish on our lacquered finish.

IMPORTANT SAFETY INSTRUCTIONS

1. Please read all instructions carefully before assembling.
2. For your safety, assembly by two or more adults is strongly recommended.
3. Keep instructions for future use.
4. Use only vendor supplied hardware to assemble. Using unauthorized hardware could jeopardize the structural integrity of the item.